

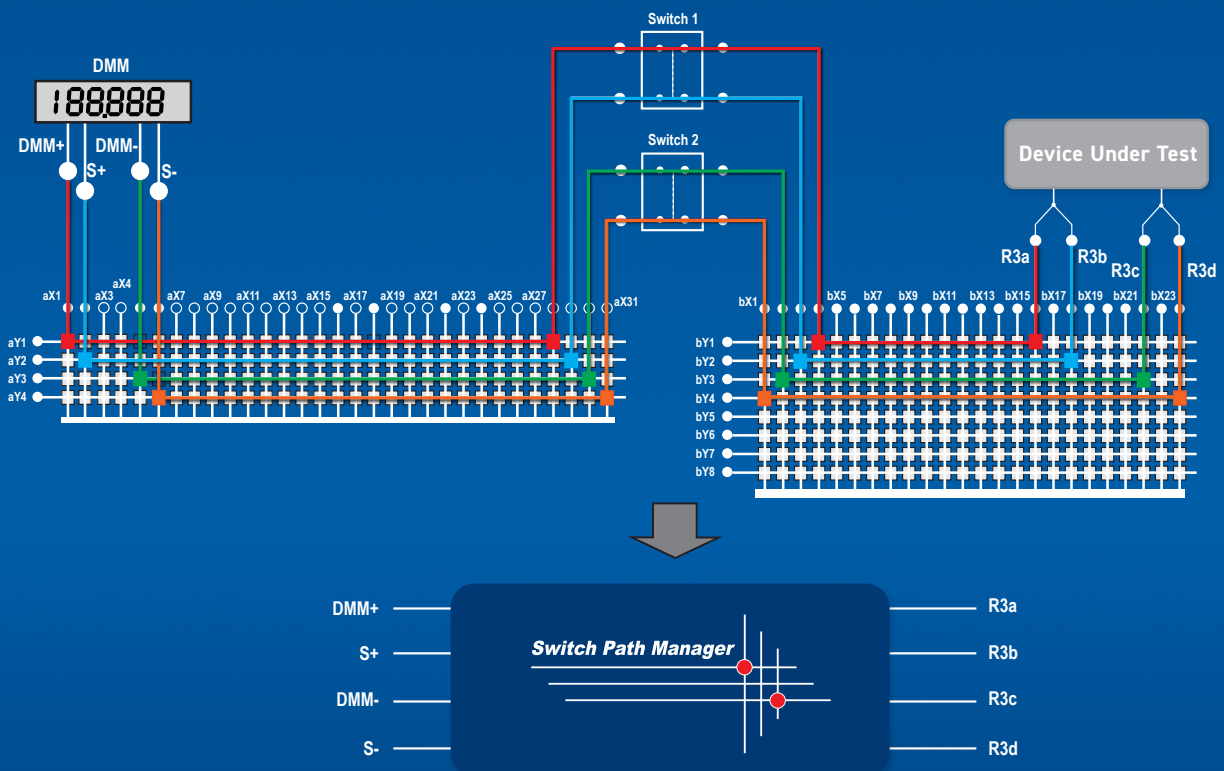
Switch Path Manager Signal Routing Software from Pickering Interfaces

When programming one of our switch modules as part of an automated test system, the software driver is typically applied within an Application Programming Interface (API) such as LabVIEW™, C or .NET. Simple CLOSE and OPEN commands operate the specific relays required to set a signal path between, for example, a Digital Multimeter (DMM) and the Device Under Test (DUT).

Selecting the correct relays to operate, however, requires a detailed understanding of the switch modules and the test system interconnections. Care must also be taken to avoid unintended short-circuits, and the switch programming becomes increasingly complicated as the system complexity rises.



Our signal routing software, **Switch Path Manager (SPM)**, takes a different approach. SPM replaces any complexity of Pickering switching system with a “Virtual Switch Box”, as illustrated below. Simply specifying the DMM and DUT points to be connected (e.g., Connect (DMM+, R3a)) is all that is then needed to achieve the required signal routes, with no chance of any accidental short-circuits.

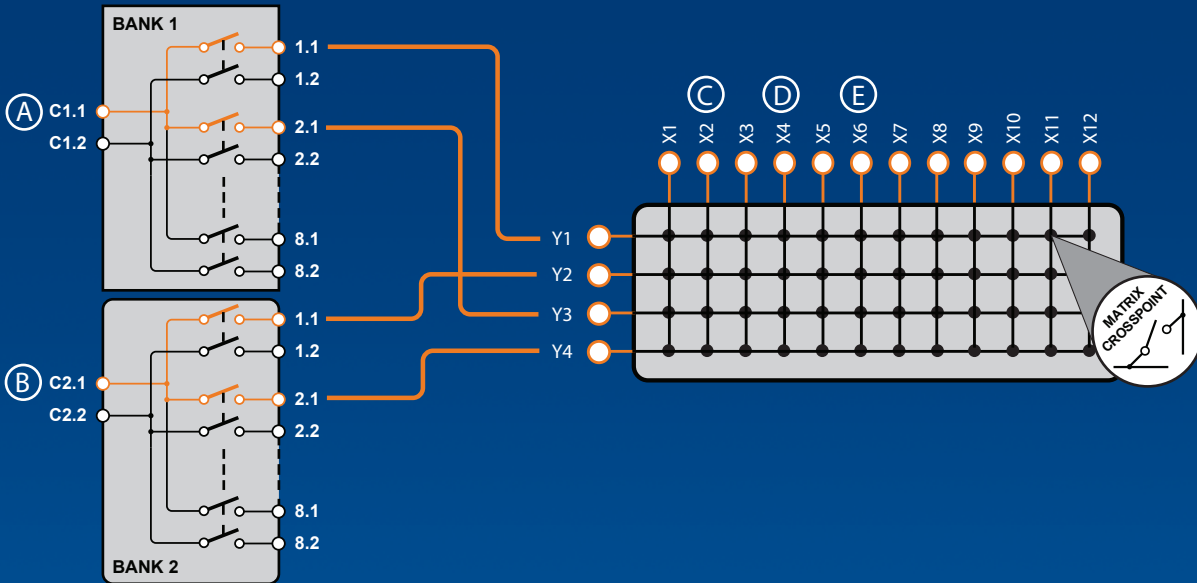


Four Steps to Simple Signal Routing using Switch Path Manager

Consider the following switching system example of two interconnected Pickering switch modules:

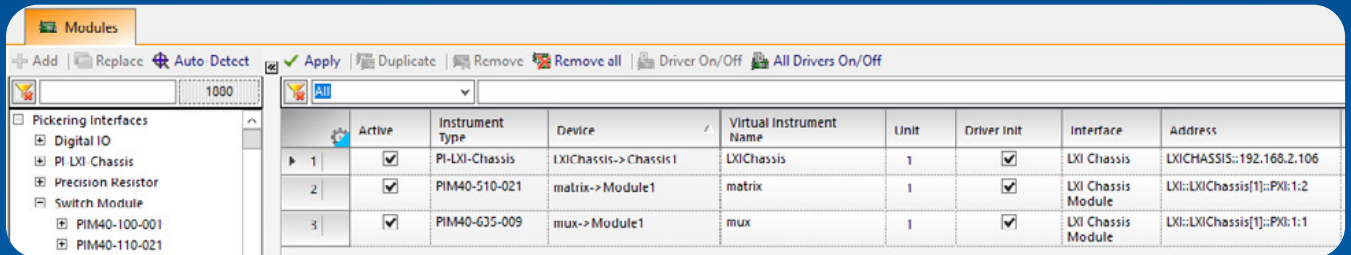
40-635-009 Multiplexer

40-510-021 Matrix



Step 1

Auto-detect the modules within the network and define the virtual instrument names.



Step 2

Detail the module interconnections.

From Pin	To Pin
mux -> Module1 :: MUX1_1.1	matrix -> Module1 :: Y1 = [bus1]
mux -> Module1 :: MUX1_2.1	matrix -> Module1 :: Y3 = [bus3]
mux -> Module1 :: MUX2_1.1	matrix -> Module1 :: Y2 = [bus2]
mux -> Module1 :: MUX2_2.1	matrix -> Module1 :: Y4 = [bus4]

Step 3

Define the required Signal Endpoints.

Connector	Endpoint Name
MUX-> MODULE1::MUX1_C1	A
MUX-> MODULE1::MUX2_C1	B
MATRIX-> MODULE1::X2	C
MATRIX-> MODULE1::X4	D
MATRIX-> MODULE1::X6	E

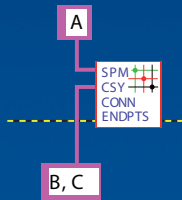
STEP 4

Connect and Disconnect the Signal Endpoints as required.

For example, to connect Endpoints A, B and C together would simply require the following commands:

C Function: `SPM_Switch_ConnectEndpointsCsv ("A", "B, C");`

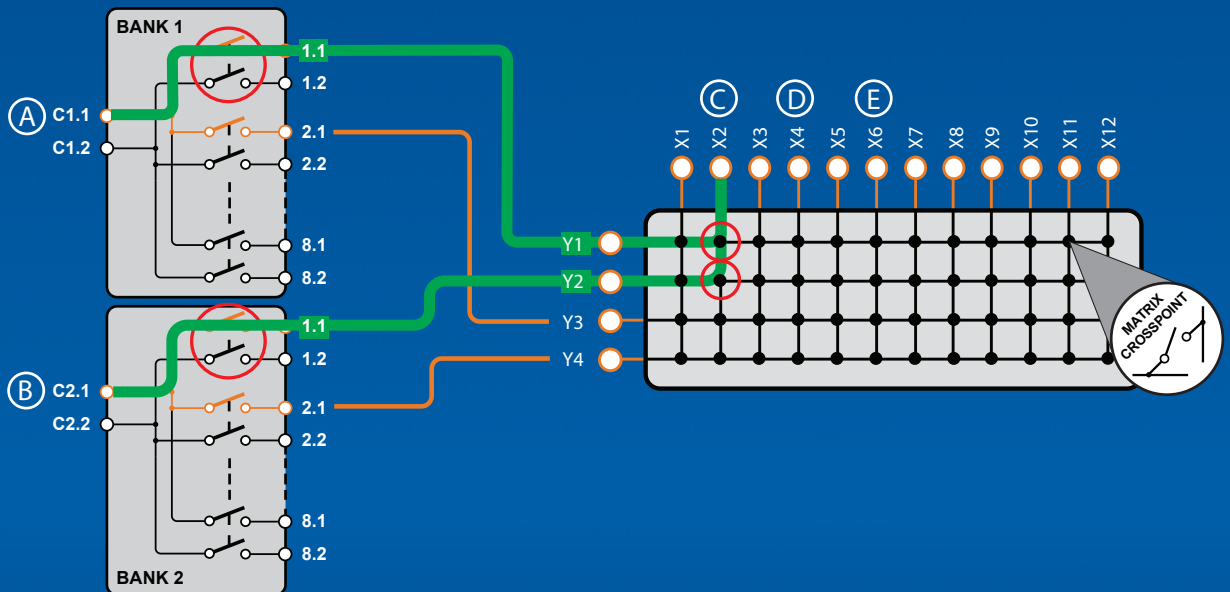
LabVIEW VI



The result is as follows:

40-635-009 Multiplexer

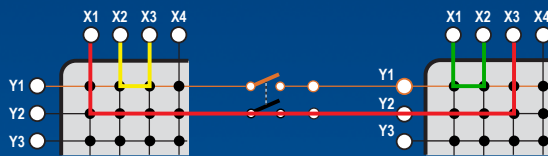
40-510-021 Matrix



One simple SPM statement controls four relays automatically with no software driver or detailed switch module knowledge required.

Switch Path Manager Signal Routing Software

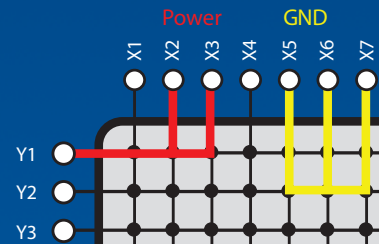
- Manages Complex Switching Systems
- Reduces Switching Software Development Effort
- Debug Monitor and Manual Control Capability
- Supports all Pickering PXI, LXI and PCI Switching
- APIs available for C, C++, .NET, LabWindows™/CVI and LabVIEW™
- Windows 32-bit or 64-bit Compatible
- Free 90-Day Evaluation License
- Provides Switching Safety Features, including Short Circuit Detection and Endpoint Protection:



Short Circuit Detection avoids shorting the yellow path with the green path when trying to apply the red path via the 2-pole relay.

Endpoint Protection prevents accidental connection of critical nodes such as Power and Ground.

(Y1, X2, X3) and (X5, X6, X7) are attributed to different Protection Groups in SPM. The software will not allow pins in different groups to be connected together.



Direct Sales & Support Offices

Pickering Interfaces Inc., USA

Tel: +1 781-897-1710 | e-mail: ussales@pickeringtest.com

Pickering Interfaces Ltd., UK

Tel: +44 (0)1255-687900 | e-mail: sales@pickeringtest.com

Pickering Interfaces Sarl, France

Tel: +33 9 72 58 77 00 | e-mail: frsales@pickeringtest.com

Pickering Interfaces GmbH, Germany

Tel: +49 89 125 953 160 | e-mail: desales@pickeringtest.com

Pickering Interfaces AB, Sweden

Tel: +46 340-69 06 69 | e-mail: ndsales@pickeringtest.com

Pickering Interfaces s.r.o., Czech Republic

Tel: +420 558 987 613 | e-mail: desales@pickeringtest.com

Pickering Interfaces, China

Tel: +86 4008-799-765 | e-mail: chinasales@pickeringtest.com

Pickering Interfaces, Malaysia

Tel: +60 12 833 7980 | e-mail: aseansales@pickeringtest.com

Local Sales Agents in Australia, Belgium, Canada, China, India, Indonesia, Israel, Italy, Japan, Netherlands, New Zealand, Philippines, Singapore, South Africa, South Korea, Spain, Taiwan, Thailand, Turkey, Vietnam and throughout the USA.

Pickering, the Pickering logo, BRIC and eBIRST and SoftCenter are trademarks of Pickering. All other brand and product names are trademarks or registered trademarks of their respective owners. Information contained in this document is summary in nature and subject to change without notice.

© Pickering 2025 - All rights reserved

Lit-079, Issue 2, June 2025

pickeringtest.com